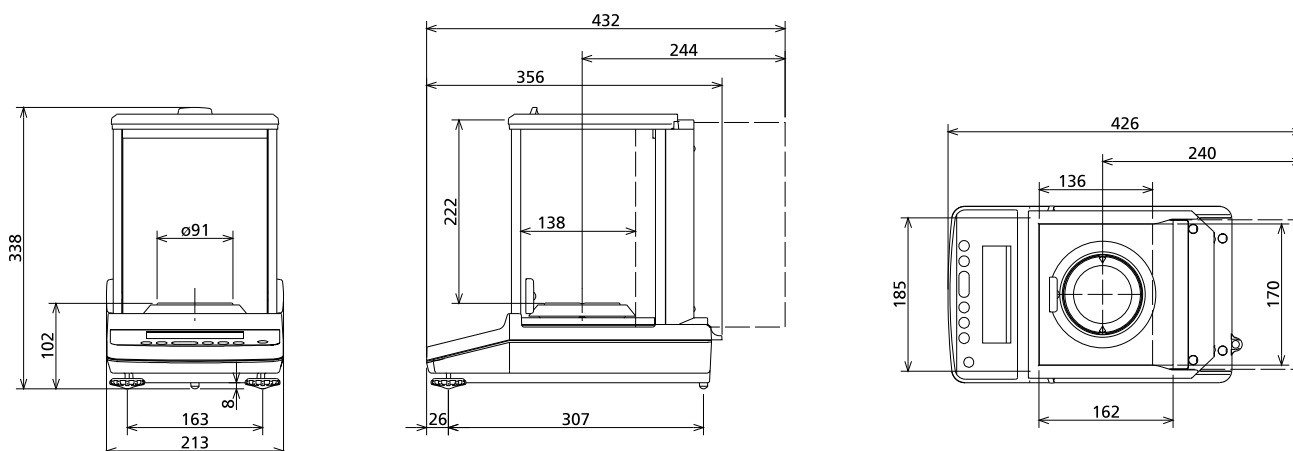


UniBloc Analytical Balances

# ATX/ATY Series



## Dimensions



## Specifications

ATX/ATY series

Model	ATX84	ATX124	ATX224	ATX324	ATY64	ATY124	ATY224	ATY324
Capacity	82g	120g	220g	320g	62g	120g	220g	320g
Minimum Display	0.1mg							
Repeatability (Standard Deviation)	$\leq 0.1$ mg							
Linearity	$\pm 0.2$ mg							
Stabilisation Time*1	Approx. 3.0 seconds							
Operating Temperature and Humidity Limits	5-40°C 20-85%*2							
Temperature Coefficient for Sensitivity (10-30°C)	$\pm 2$ ppm/°C							
Pan Size (mm) approx.	$\phi 91$							
Main Body Dimensions (mm) approx.	213(W) × 356(D) × 338(H)							
Main Body Weight (kg) approx.	6.2				6.0			
Power Requirement	12V, 1A							
Internal Calibration	●				—			

\*1 The Stabilisation time is a representative value  
 \*2 No condensation

## Options

Description
EP-100 Printer
EP-110 Printer
I/O-RS cable
Protection Cover
STABLO-AP Ionizer
USB conversion kit



**For Research Use Only. Not for use in diagnostic procedures.**

This publication may contain references to products that are not available in your country. Please contact us to check the availability of these products in your country.

Company names, products/service names and logos used in this publication are trademarks and trade names of Shimadzu Corporation, its subsidiaries or its affiliates, whether or not they are used with trademark symbol "TM" or "®". Third-party trademarks and trade names may be used in this publication to refer to either the entities or their products/services, whether or not they are used with trademark symbol "TM" or "®".

Shimadzu disclaims any proprietary interest in trademarks and trade names other than its own.

The contents of this publication are provided to you "as is" without warranty of any kind, and are subject to change without notice. Shimadzu does not assume any responsibility or liability for any damage, whether direct or indirect, relating to the use of this publication.

Shimadzu Corporation  
[www.shimadzu.com/an/](http://www.shimadzu.com/an/)